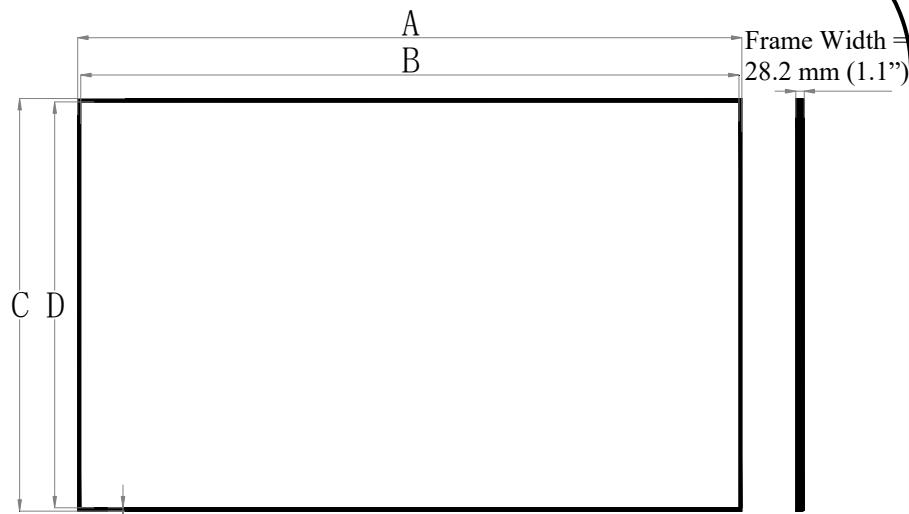


## Dimensions Table



Bezel Width = 10mm (.39")

Unit: mm (inch)	A	B	C	D
100" / 16: 9	2234 (88.0")	2214 (87.2")	1265 (49.8")	1245 (49.0")
120" / 16: 9	2677 (105.4")	2657 (104.6")	1514 (59.6")	1494 (58.8")

Note: The listed measurements are for general reference only.

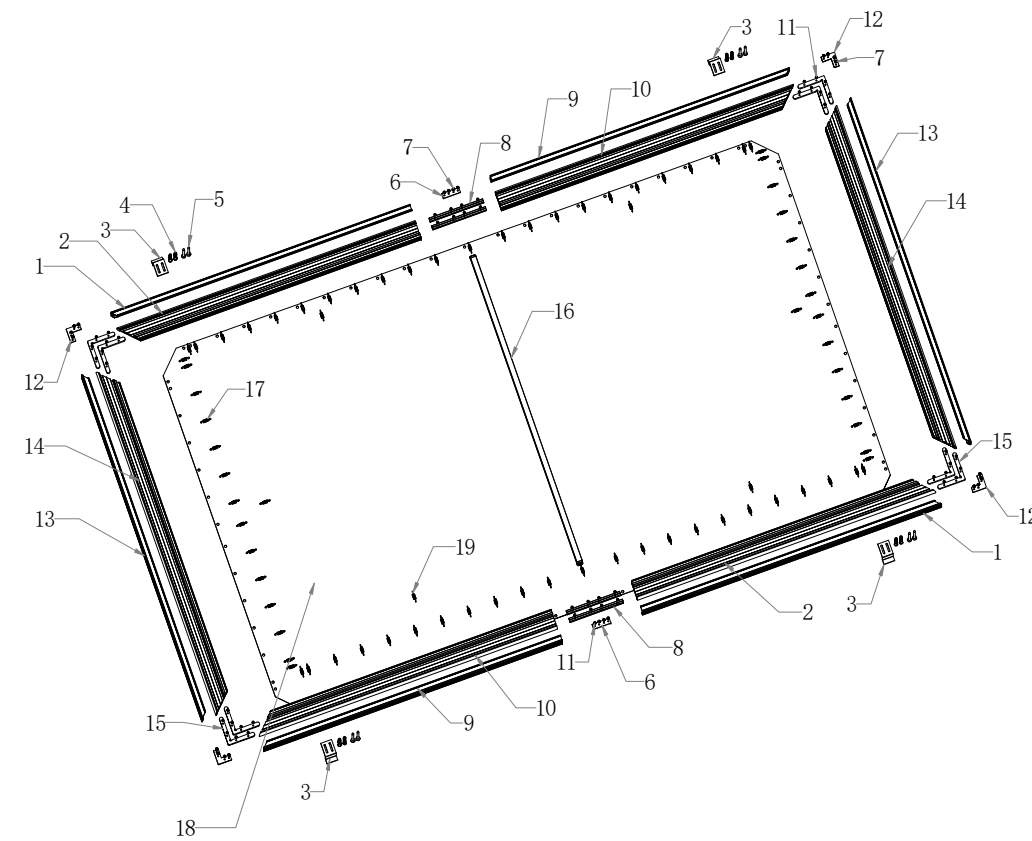
## Screen Maintenance

Dust, dirt and scratches on the projection screen surface will affect the quality and performance of the projection image. Follow the instructions below to properly maintain the screen.

- 1) The screen surface has a horizontal structure. **DO NOT** wipe the screen up and down or in a circular motion. **Wipe from left to right only.**
  - 2) Clean the dust on the screen surface with a soft brush or microfiber cloth. A rough towel or cloth may damage the screen's surface.
  - 3) Gently wipe the screen with a moistened microfiber cloth with mild soap diluted in water.
- Notes: The following precautions should always be followed to avoid damaging the material, which is not covered under warranty.**

- Don't **touch** the screen material to avoid leaving fingerprints. **Use gloves when handling the material.**
- Don't **scratch** the material, as it will leave permanent markings on the screen's surface.
- Don't **point** to the screen material with a fingertip or other sharp objects to prevent damage to the material.
- Don't use acetone, benzene, alcohol and any other organic solvents to clean the screen material. Using such chemicals will permanently damage the screen.

## Exploded view

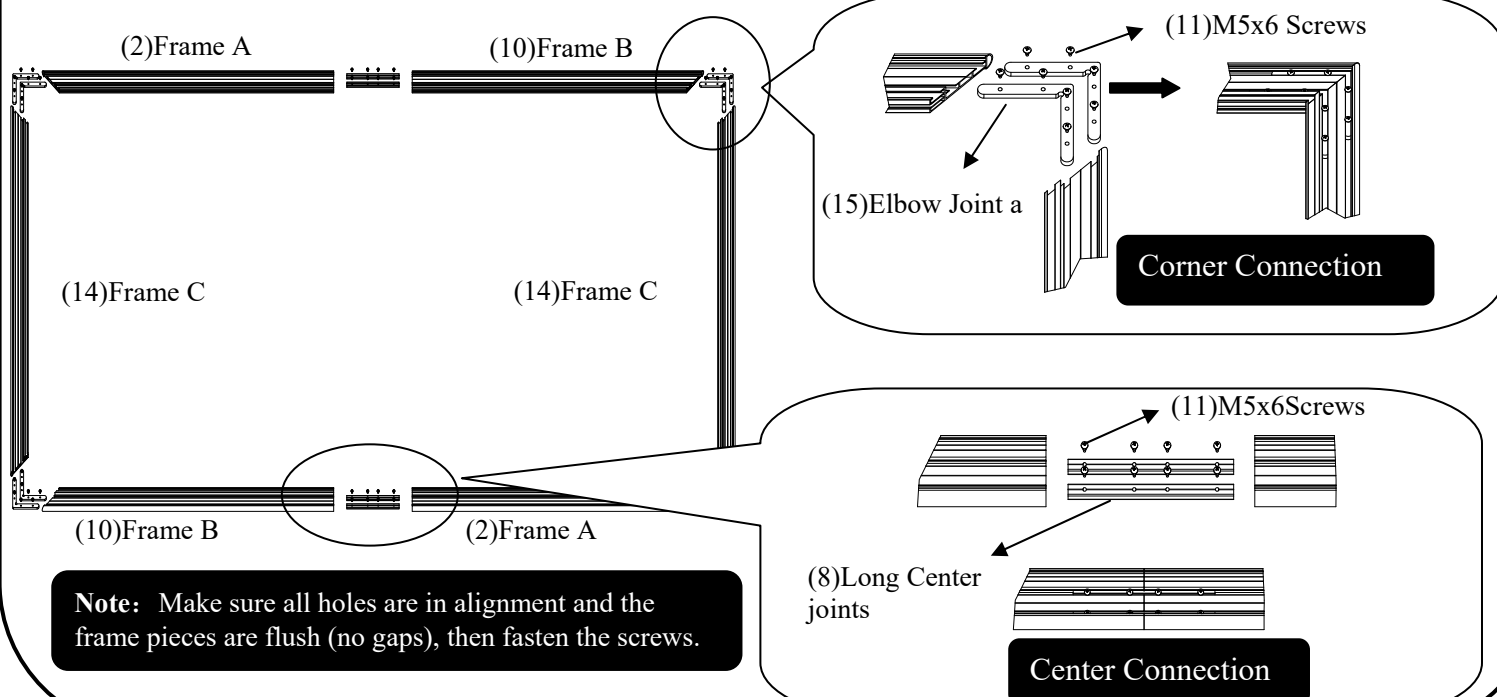


## Hardware and Parts List

- (1) Edge Trim A
- (2) Frame A
- (3) Wall Bracket
- (4) Anchor
- (5) Wall screws
- (6) Short Center joints
- (7) M4x4 Screws
- (8) Long Center joints
- (9) Edge Trim B
- (10) Frame B
- (11) M5x6 Screws
- (12) Elbow Joints b
- (13) Edge Trim C
- (14) Frame C
- (15) Elbow Joints a
- (16) Support Bar
- (17) Springs a
- (18) Screen material
- (19) Springs b

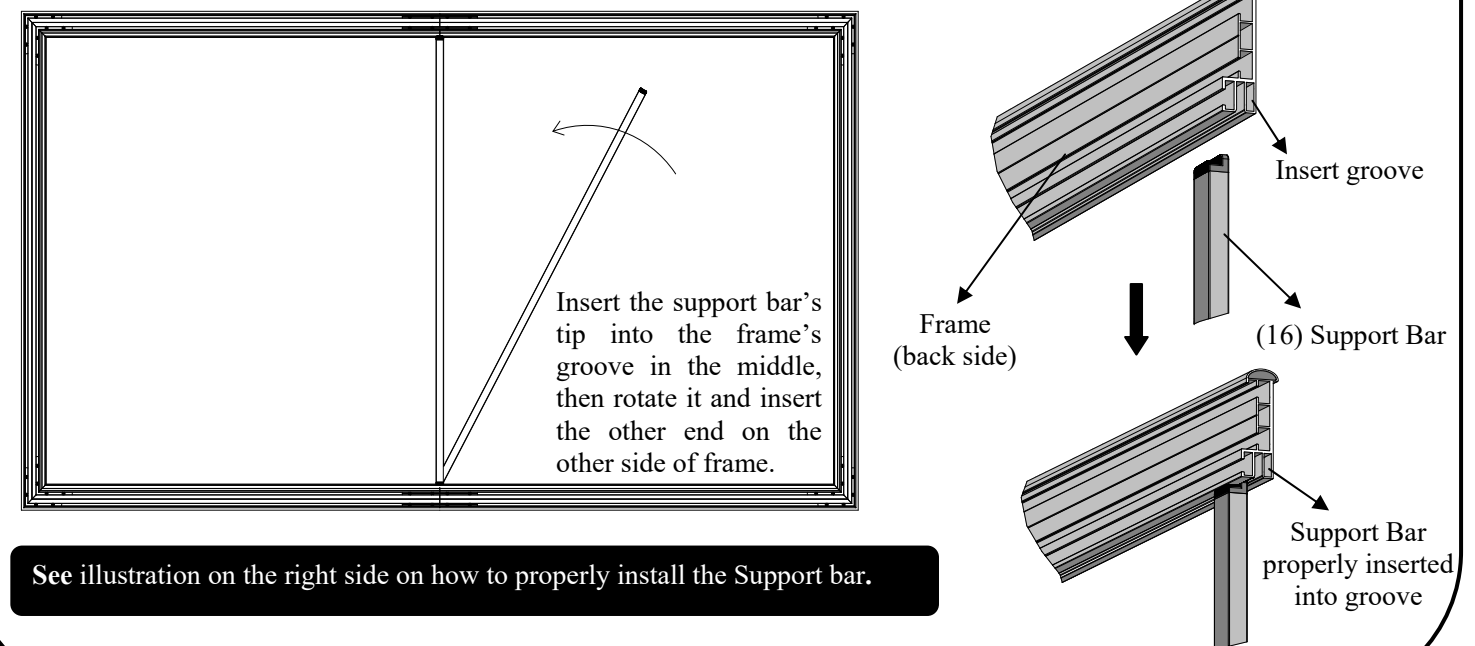
## Screen Installation

### 1 Frame Assembly



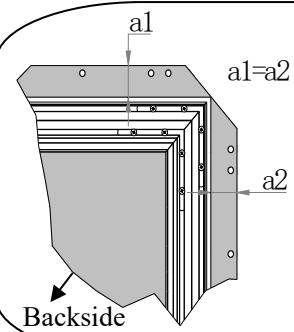
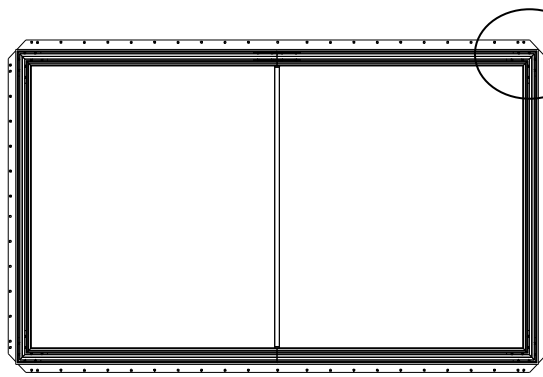
Note: Make sure all holes are in alignment and the frame pieces are flush (no gaps), then fasten the screws.

### 2 Center support bar Installation



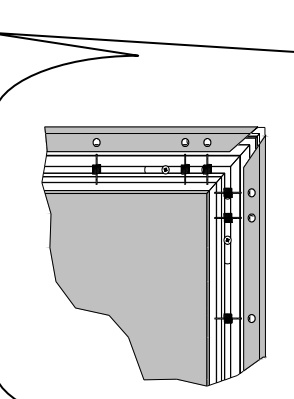
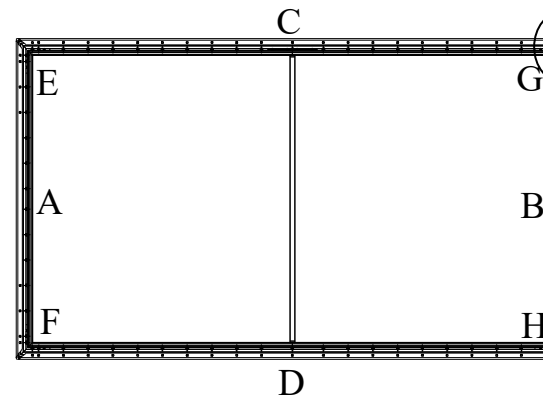
See illustration on the right side on how to properly install the Support bar.

### 3 Screen Material Installation



1. Put on the supplied pair of white gloves, two people carefully unroll the material on the supplied cloth (keep the front of the material face down)
2. Carefully and gently place the assembled frame on top of the screen material.
3. Adjust the distance between the edge of the frame and the material (a1 = a2) to 35 mm/1.4"

①

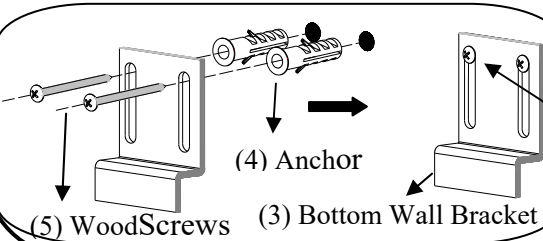
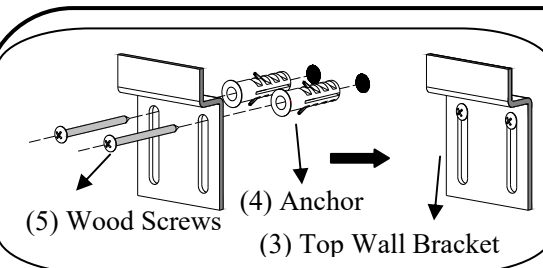
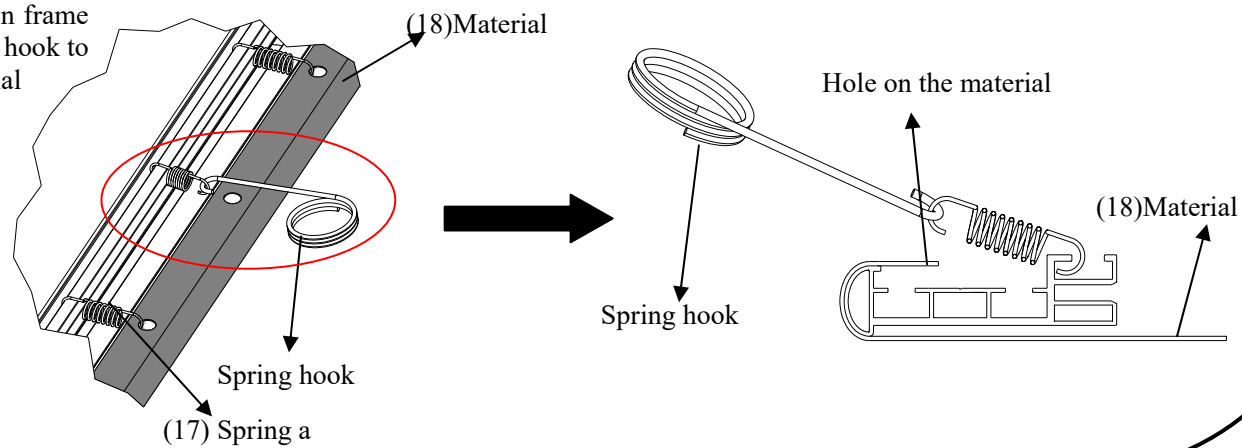


- Two people required**
1. Begin by simultaneously attaching three springs in the center of the side frames (A→B) and repeat for top/bottom frames (C→D).
  2. Then, simultaneously attach the springs from the center to all corners.
  3. Finally, attach the springs at the four corners (E→F→G→H).
  4. Inspect the assembled screen for flatness.

②

#### Spring Attachment Method

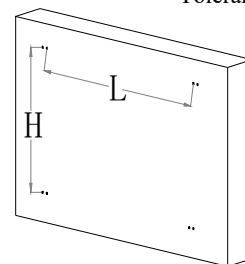
Hook springs on frame then use spring hook to attach to material



Note: Do not fasten up the screws on the bottom bracket, so the bracket can be easily adjusted.

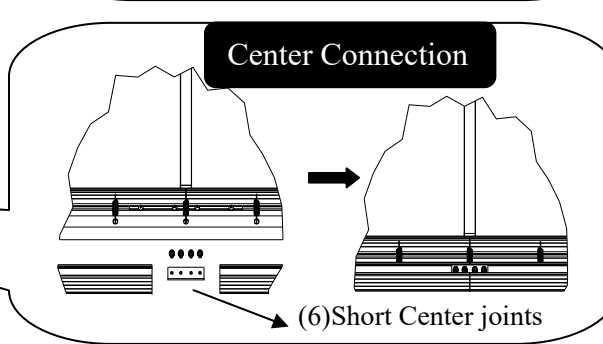
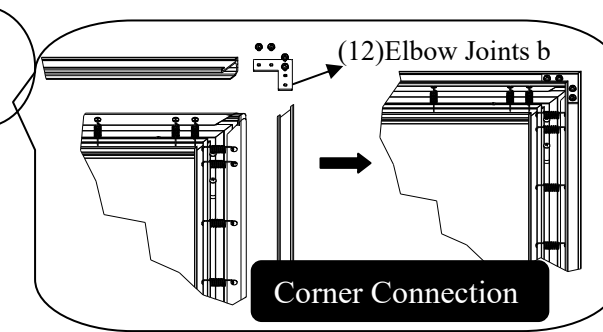
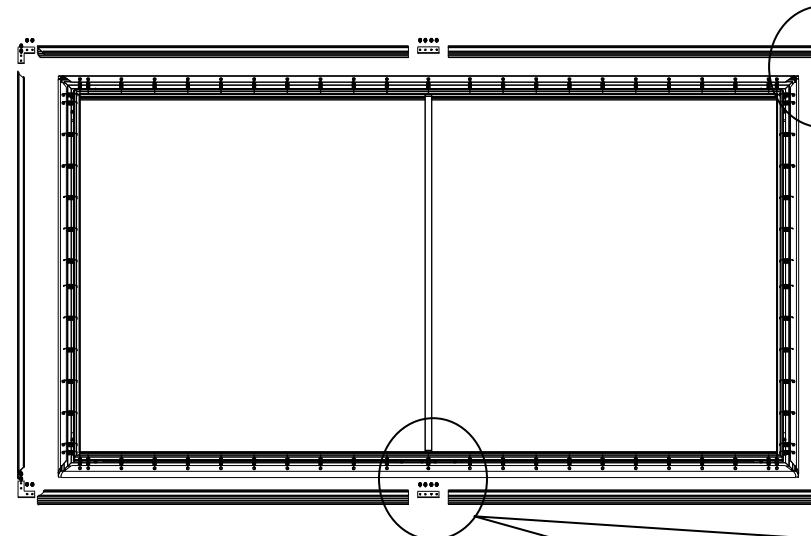
Unit:mm(inch)	100	120
L(Length of left to right)	1500 (59.1")	2000 (78.7")
H(Length of top to bottom)	1083 (42.6")	1332 (52.4")

Tolerance: ±3mm(.12")

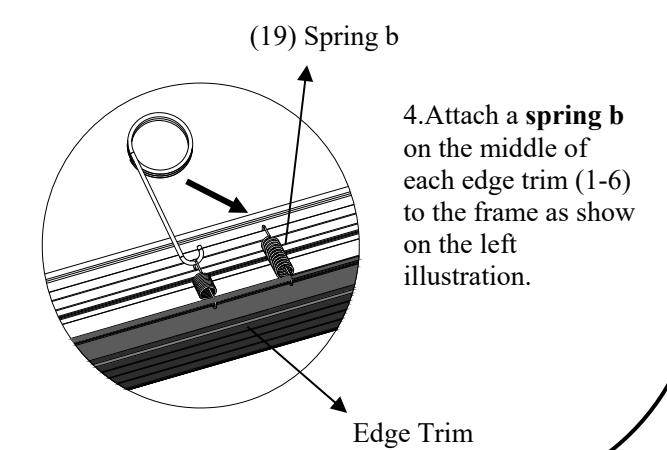
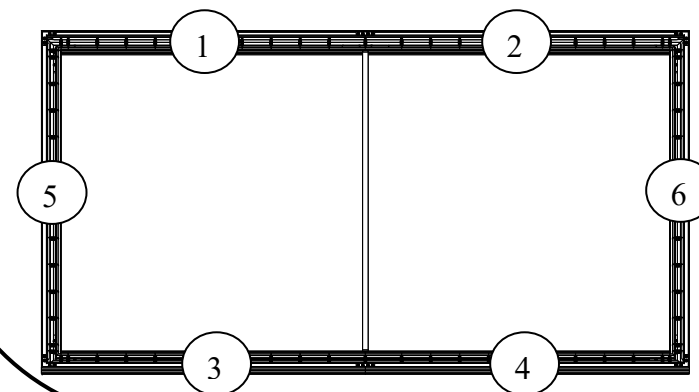


①

### 4 Edge Trim Installation



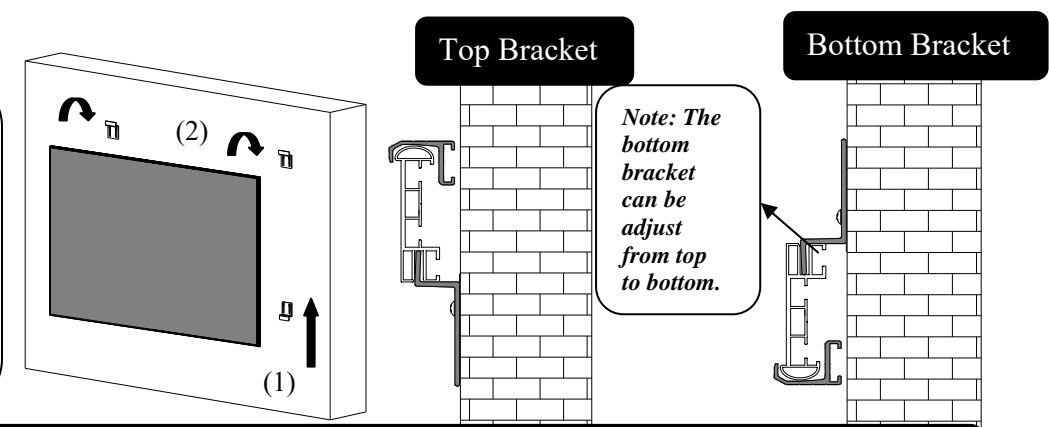
1. Connect edge trims A&B to form the top/bottom trims with the Short Center joints, and then insert them on the top/bottom frames.
2. Connect the side edge trims C with the top/bottom edge trim with elbow joints b.
3. Adjust the trim so that the top and bottom trim pieces are touching and show no gaps on the corners. Then fasten them with the M4 x4 screws.



4. Attach a spring b on the middle of each edge trim (1-6) to the frame as show on the left illustration.

### 5 Wall Installation

- (1) Two people hold the screen. First align and place it on the bottom bracket.
- (2) Then pull up the screen on the top bracket and adjust the screen left to right as needed.



Note: Make sure the direction of the material is correct before you hang the screen to the wall. The material is labeled "DOWN SIDE".

①

②